

File: gogo_USB.sch

Sheet: /

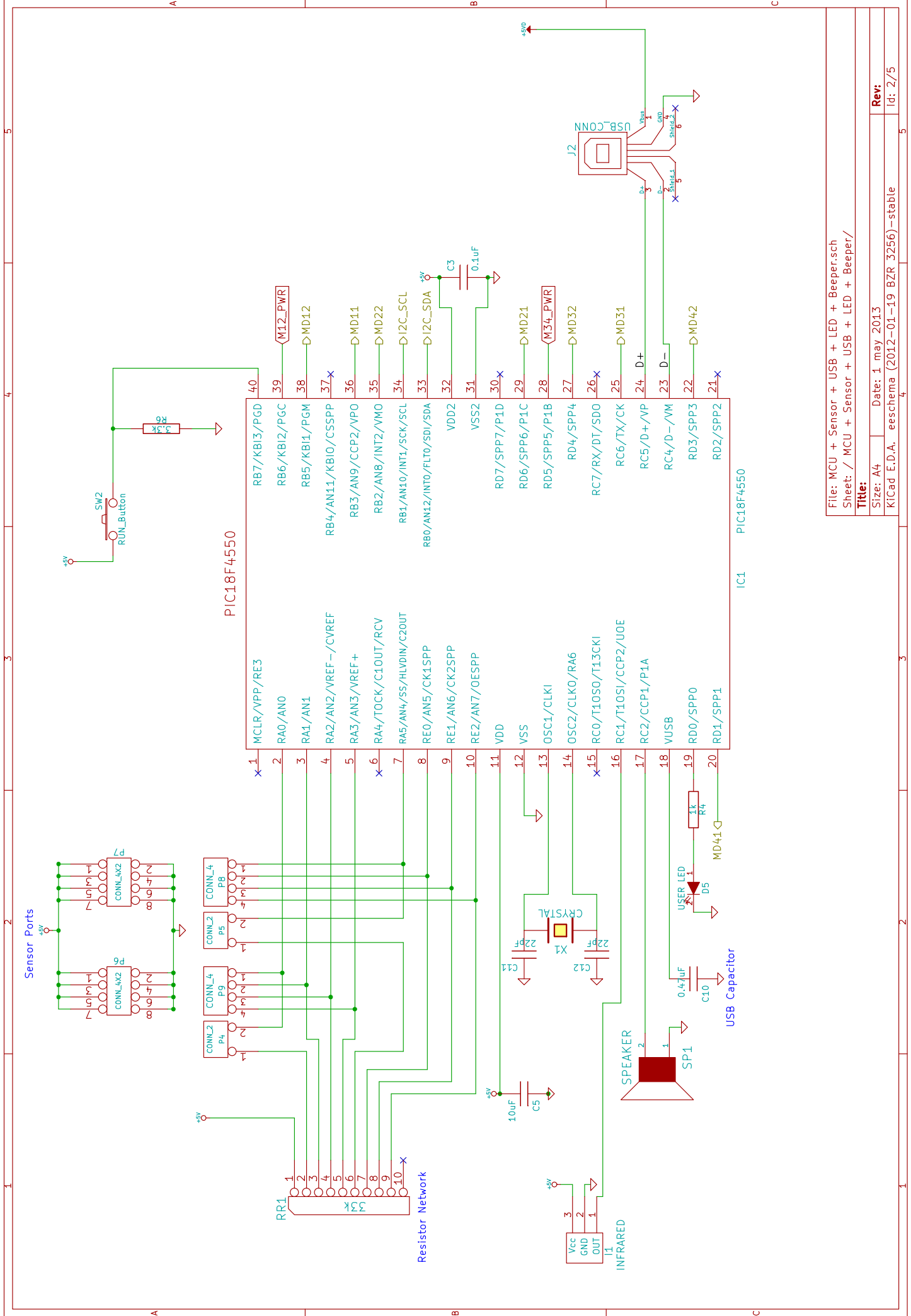
Title:

Size: A4 Date: 1 may 2013

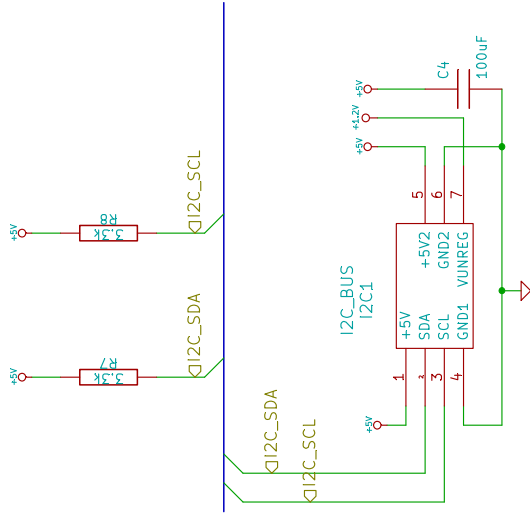
KiCad E.D.A. eeschema (2012-01-19 BZR 3256)--stable

Rev:

Id: 1/5



File: MCU + Sensor + USB + LED + Beeper.sch	
Sheet: / MCU + Sensor + USB + LED + Beeper/	
Title:	
Size: A4	Date: 1 may 2013
KiCad E.D.A. eeschema (2012-01-19 BZR 3256)--stable	
Rev:	Id: 2/5



File: I2C.sch
 Sheet: /I2C/

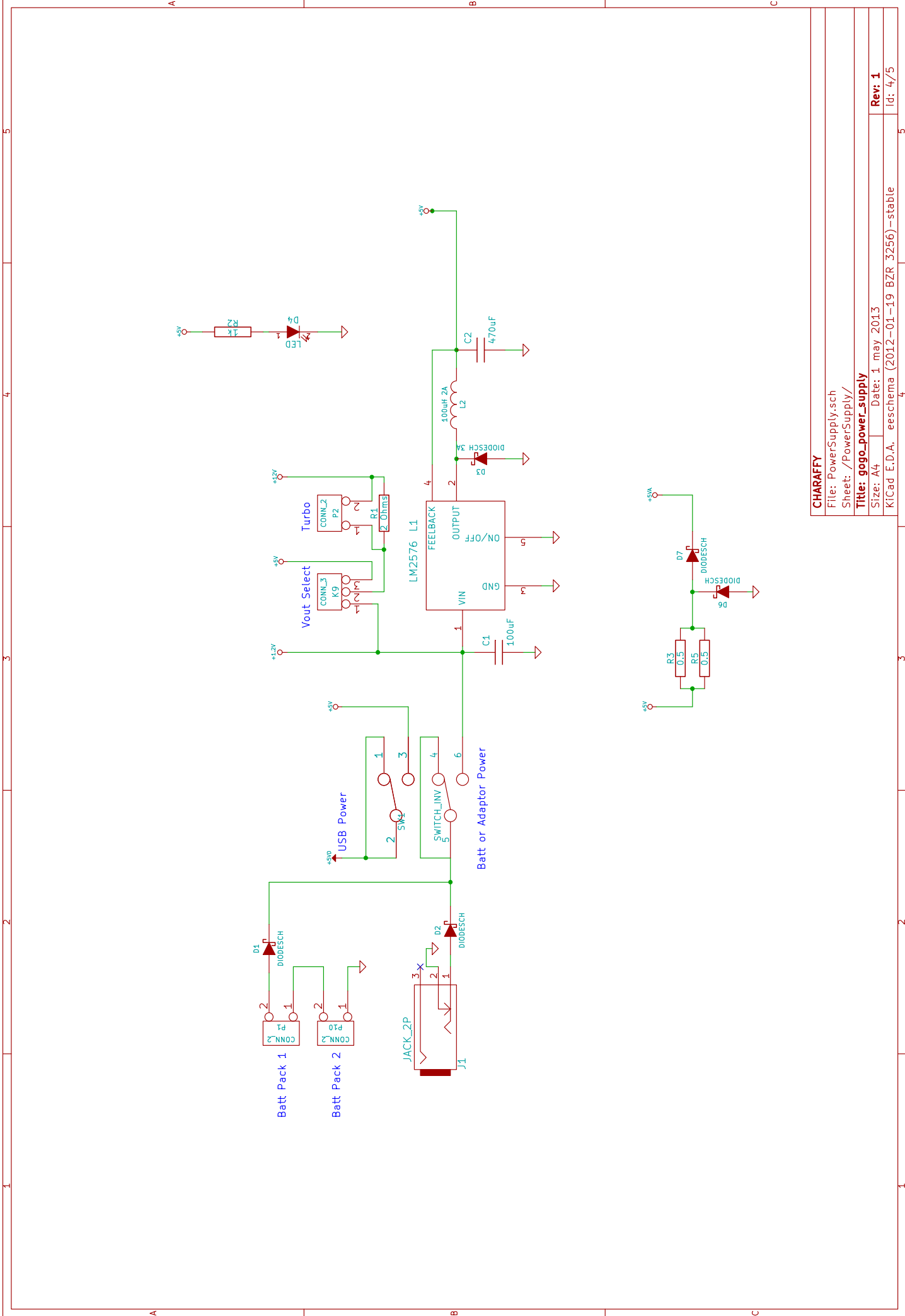
Title:

Size: A4 Date: 1 may 2013

KiCad E.D.A. eeschema (2012-01-19 BZR 3256)--stable

Rev:

Id: 3/5



CHARAFFY

File: PowerSupply.sch

Sheet: /PowerSupply/

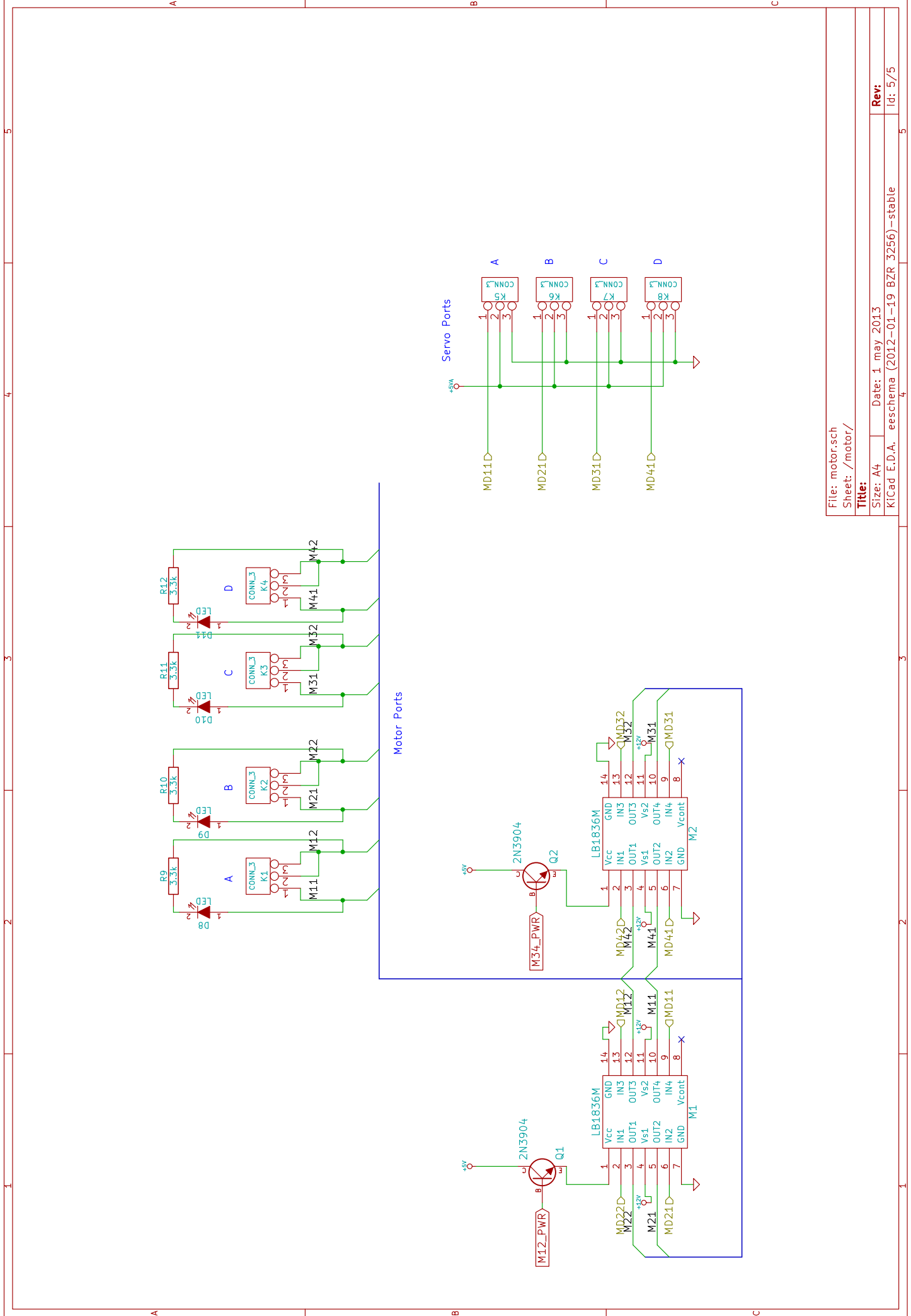
Title: gogo_power_supply

Size: A4 Date: 1 may 2013

KiCad E.D.A. eeschema (2012-01-19 BZR 3256)--stable

Rev: 1

Id: 4/5



File: motor.sch
Sheet: /motor/

Title:

Size: A4 Date: 1 may 2013

KiCad E.D.A. eeschema (2012-01-19 BZR 3256)-stable

Rev:

Id: 5/5